

AT-LNA-0026-1204C

10MHz-26.5GHz Low Noise Amplifier

10MHz-26.5GHz Broadband Low Noise Amplifier

2022-3-22

Product Overview

AT-LNA-0026-1204C broadband low noise amplifier from 10MHz to 26.5GHz. The NF is 4.5dB from 100MHz-26.5GHz. The DC power requirement is +5V/140mA. The module is with SMA Female. Other connector is available according to request.

AT Microwave can provide all kinds of coaxial low noise amplifiers, with frequency from 0.01-67GHz, gain from 20 to 60dB, Pout from +5 to +27dBm, and connectors from SMA to 1.85mm.

More information, please visit www.atmicrowave.com



Advantages

- ✓ Frequency: 10MHz-26.5GHz
- ✓ Small signal gain: 12dB
- ✓ Noise Figure 4.5dB
- ✓ Single Power Supply

Application

- ✓ Broadband Communication
- ✓ Test Equipment
- ✓ ROF (RF Over Fiber)
- ✓ Radar System

Key Features

Parameter	Min	Typical	Max
Frequency		10MHz-26.5GHz	
Gain	9dB	12dB	
Gain Flatness(1-26GHz)		+/-2dB	
NF(1-40GHz)		4.5dB	6.5dB
P1dB		+13dBm	
Psat		+15dBm	
Drain Supply		+5V	+8V
Current		70 mA	120mA
Input Return Loss	-5	-10 dB	
Output Return Loss	-5	-10 dB	
Spec Temp		25C	





AT-LNA-0026-1204C

10MHz-26.5GHz Low Noise Amplifier

Mechanical Information

Item	Description
Input Port	SMA Female
Output Port	SMA Female
Case Material	Copper
Package Sealing	Epoxy Sealed
Finish	Gold Plated
Weight	50g
Size:	30x30x14 mm

Absolute Maximum Ratings Table

Parameter	Value
Drain Supply	+13V
RF Input Power	+15dBm
Operating Temperature(note)	-20 to +70C
Storage Temperature	-65 to +150C

Note: -40 to +85C is available according to request.

Notes:

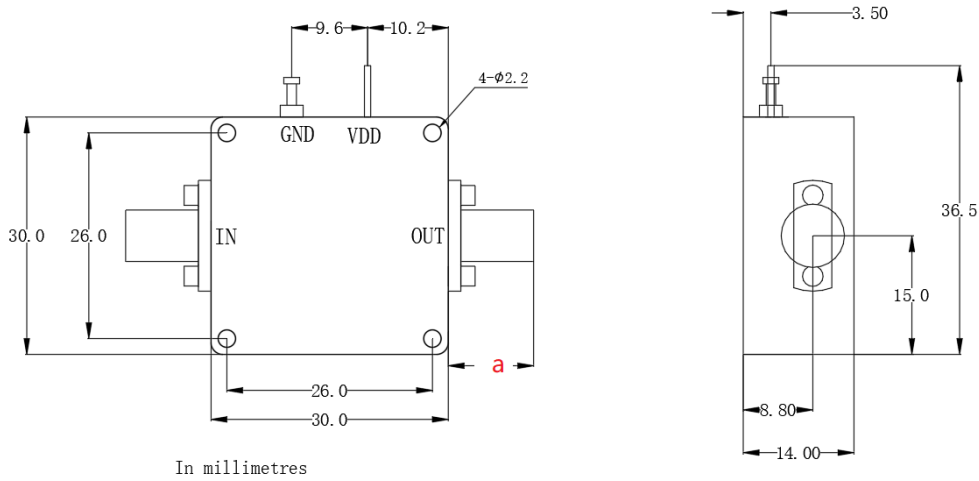
1. Datasheet may be changed according to update of MMIC, Raw materials , process, and so on.
2. This data is only for reference, not for guaranteed specifications.
3. Please contact AT Microwave team to make sure you have the most current data.

Part Number Selection Guide

Item	Description
PN	Stand Module with DC Power Supply
PN-LCBT	L ow Cost, C ompact B ench- T op, +220V Supply with AC/DC Adapter



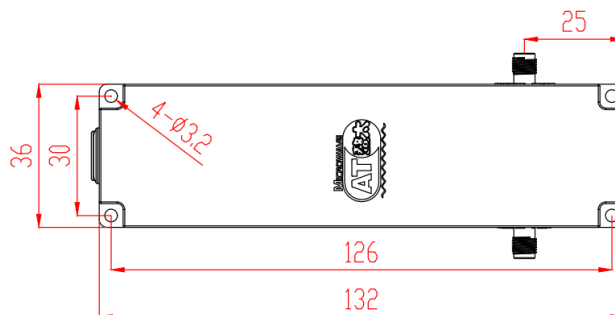
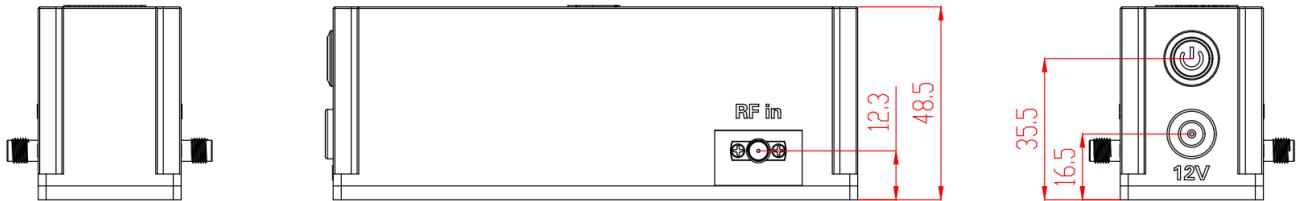
Dimension: (unit in mm)



	<26.5GHz	<40GHz	<50GHz	<67GHz
Connector	SMA	2.92mm	2.4mm	1.85mm
Length of a	9.4mm	9.5mm	10.8mm	11.3mm

Note: Female Default. Contact with us for other types.

Heatsink required if case temp over 50C



PN-LCBT Outline

